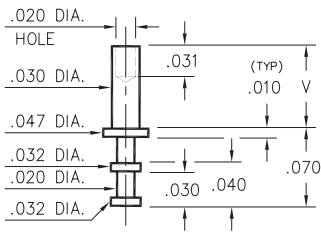


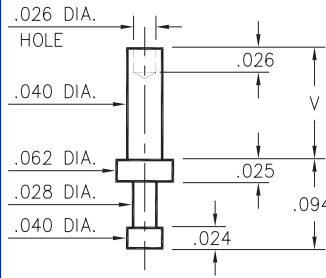
## 2111



- X -	Board Thickness	Length V
1	.031	.053
2	.062	.084
3	.094	.115

**2111-X-00-XX-00-00-07-0**  
Swage mount in .033 hole

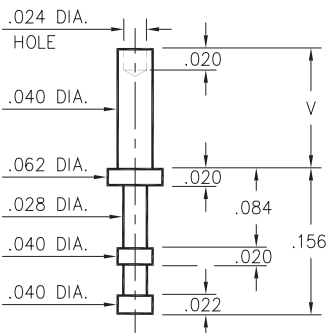
## 2113



- X -	Board Thickness	Length V
1	.031	.053
2	.062	.084
3	.094	.115
4	.125	.147

**2113-X-00-XX-00-00-07-0**  
Swage mount in .043 hole

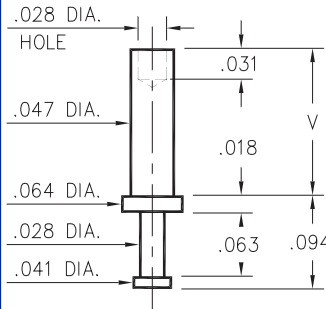
## 2108



- X -	Board Thickness	Length V
1	.031	.053
2	.062	.084
3	.094	.115
4	.125	.147

**2108-X-00-XX-00-00-07-0**  
Swage mount in .043 hole

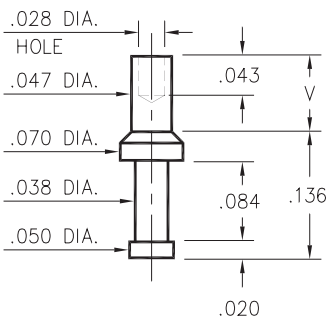
## 2102



- X -	Board Thickness	Length V
5	.016	.035
1	.031	.054
2	.062	.084
3	.094	.115
4	.125	.147

**2102-X-00-XX-00-00-07-0**  
Swage mount in .052 hole

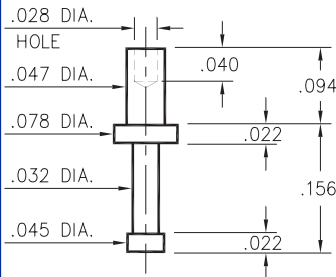
## 2109



- X -	Board Thickness	Length V
1	.031	.052
2	.062	.085

**2109-X-00-XX-00-00-07-0**  
Swage mount in .052 hole

## 2324



**2324-2-00-XX-00-00-07-0**  
Swage mount in .052 hole  
for .062 thick board

### SPECIFICATIONS

**PIN MATERIAL:**  
Brass Alloy 360, 1/2 Hard  
Swage pins are annealed

**DIMENSION IN INCHES**  
**TOLERANCES ON:**  
LENGTHS: ±.005  
DIAMETERS: ±.002  
ANGLES: ± 2°

**ORDER CODE: 2XXX - X - 00 - XX - 00 - 00 - 07 - 0**

**BASIC PART #**

**SPECIFY PIN FINISH:**

- 01 200μ" TIN/LEAD OVER NICKEL
- 80 200μ" TIN OVER NICKEL ◇
- 44 300μ" SILVER OVER COPPER ◇
- 50 300μ" ELECTRO-SOLDER (60/40 SnPb)

